

EASYRAM[®]

MOTUS' STANDARD
CYLINDER SOLUTION



REVISIONI

ABOUT MOTUS

Since 1963, MOTUS has supplied the muscle to New Zealand's equipment industry through the manufacture of custom and off-the-shelf hydraulic cylinders.

In recent years the footprint of MOTUS has increased to Australia and beyond and has diversified from solely supplying agricultural machinery manufacturers to many industries such as forestry, transport, mining, marine and waste removal.

1

UNIQUE NUMBERING

MOTUS rams can be matched to any ram sold during the last 20 years. Reordering is easy, because every ram is stamped with its own number, tracked right through the manufacturing process and linked to an exact specification on our database.

2

FOUR-STAGE CLEANING PROCESS

At MOTUS Hydraulics cleanliness is a very high priority. Each ram is cleaned inside and out four times, ensuring no contamination will be found inside a MOTUS ram once it leaves the factory.

3

COMPONENT PRECISION

MOTUS insist on absolute component precision for a consistent and reliable product. We've installed our own CNC equipment to ensure that you get the most reliable ram with every order.

4

WELDING QUALITY

Welding quality is critical on a hydraulic cylinder. Purpose-built equipment and top operators combine to produce welds that will stand any inspection. Beautifully smooth and even welds come standard with every MOTUS cylinder.

5

PRECISION RAM-BUILDING EQUIPMENT

Our purpose-built machinery enables MOTUS to produce rams efficiently, whether a one-off ram or a large production run. OEMs no longer need to hold large stocks of cylinders, we can promptly supply as required.

6

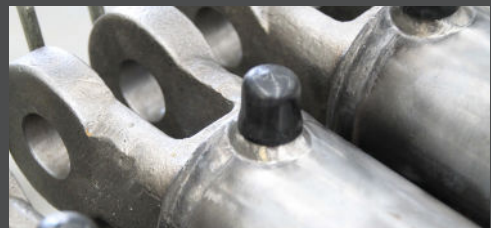
INDIVIDUAL LEAK TESTING

Every MOTUS ram is individually oil tested up to its specific PSI rating for leaks in our custom designed assembly and testing facility, ensuring absolute peace of mind.

7

4-YEAR WARRANTY

Due to our stringent and ISO 9001 compliant quality control throughout our manufacturing process, MOTUS is confident enough to place a 4 year warranty on every cylinder produced.



4
YEAR
WARRANTY

RAMS YOU CAN RELY ON

Inside a MOTUS Easyram

MOTUS rams feature the same ram technology that has been proven for more than 50 years.

WRC (wire retaining clip) Series cylinders feature a unique and highly effective threadless head retaining design - a round stainless steel wire retainer. This makes design MOTUS rams very quick and easy to assemble and service if necessary.

The result is an extremely compact design that still gives maximum stroke. The WRC Series head is fully floating, completely concentric in the bore and not subject to slight thread eccentricities. It will not unwind, rotate loose or seize up. The tube is full thickness throughout, giving it high mechanical strength. High mechanical strength; rated to 3000PSI operating pressure.

Our WRC technology has been used for many diverse applications and featured on a variety of equipment exported to many countries - you won't buy better!

TRACE NUMBER

This number is stamped into the barrel. Quoting this number enables build detail traceability.

PORTS

Ports are fully machined from solid bar for heavy-duty durability.

HEAD

Centrifugally cast, close-grained cast iron, giving maximum bearing surface in minimum length. Accurate sizing and close tolerance for maximum and consistent seal life.

BARREL

Hydraulic cylinder tubing. Very high quality internal bore finish for maximum seal life and minimum leakage.

PISTON

STANDARD: 2" - 4" steel one piece piston, internally threaded for high strength.

COMPACT DESIGN: 5" - 6" steel two piece piston.

SEALS

PISTON SEALS 2" - 6" rams: heavy-duty unit seal with anti-extrusion rings and wear rings. No metal-to-metal contact.

PISTON SEALS 1.5" rams: crown seal and wear ring, WR style.

SHAFT SEAL: heavy-duty polyurethane pressure seal for long life.

HEAD: Static sealing O-ring with contoured face back-up ring.

WIPER: heavy-duty polyurethane wiper scraper.

SHAFT

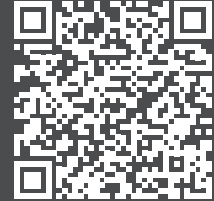
Manufactured from medium carbon steel, precision ground. Hard chrome plated and polished to give maximum seal life and good corrosion resistance.



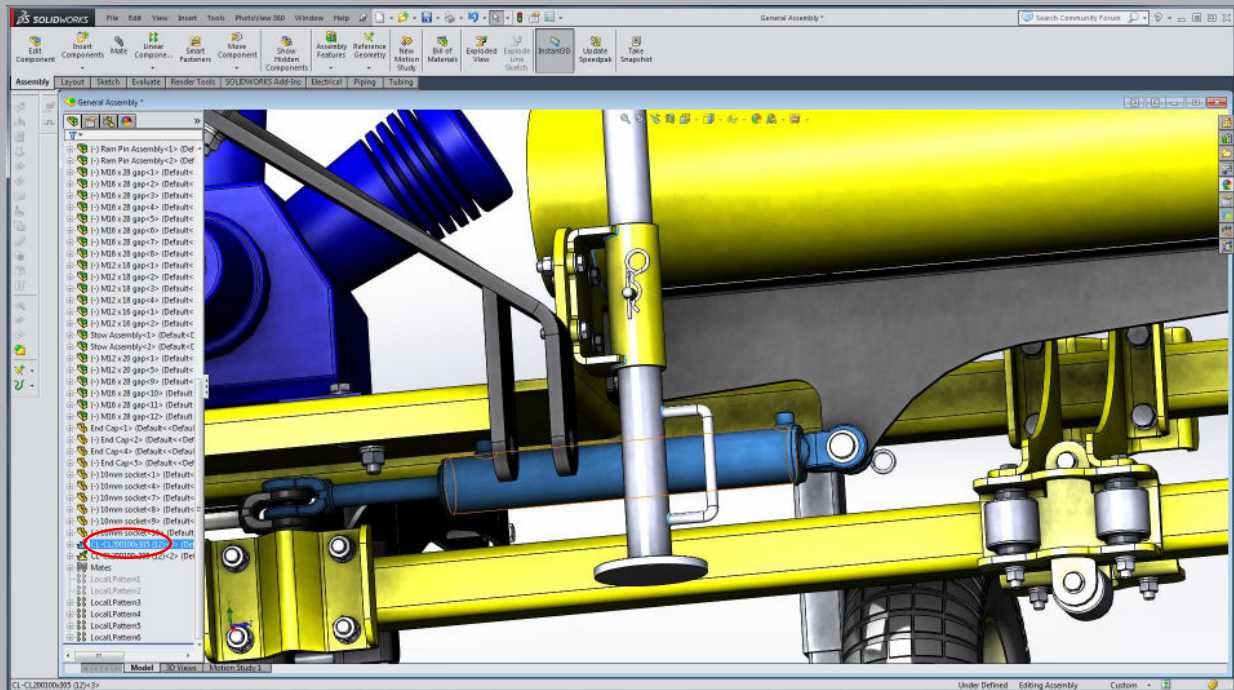
IT'S THAT EASY.

CAD models and PDF's are available from our website

Go to <https://motushydraulics.com/hydraulic-ram-range/hydraulic-cylinders-for-sale/>
remember to save as a favourite or scan the QR code >

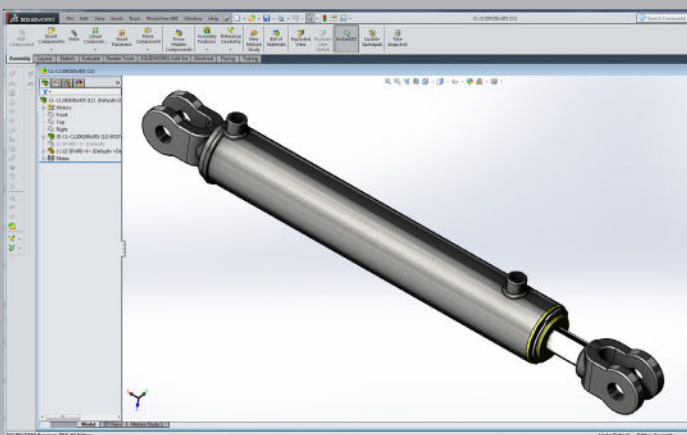


Download and insert into your working CAD model and watch your machine come to life with functioning open and closed centres.



Online CAD model download

Online PDF download



DO NOT SCALE
27/03/2015

MOTUS WWW.MOTUSHYDRAULICS.COM		DESCRIPTION	CL-CL200100X305(12)
SEAL KIT No:	SK200100	RATED MAX PRESSURE:	
FORCE EXTENSION	3140 Kg @ 2250 psi	FORCE RETRACT	2350 Kg @ 2250 psi
STROKE	305mm	PORTS	1/4" f/m BSPP
CLOSED CENTRES	546mm	BASE MOUNT	CL-1
OPEN CENTRES	851mm	SHAFT MOUNT	CL-1

Ram Phone: 0800 66 88 74
Phone: +64 6 879 8599
sales@motushydraulics.co.nz
www.motushydraulics.co.nz

EASYRAM®

**Quick, Easy and Affordable.
Motus' Standard Cylinder Solution.**

"EASYRAM is the perfect fit when you're creating or modifying a piece of equipment and need a ram in a hurry".

EasyRam includes;

- ▶ Heavy duty double-acting design 0-3000 PSI continuous operating pressure
- ▶ 4 Year warranty
- ▶ Designed and made in New Zealand
- ▶ Motus' proven WRC head retainer
- ▶ Huge selection, 4 styles and more than 156 sizes to choose from
- ▶ Order 10 EasyRams to qualify for FREE freight

4 STYLES, 156 SIZES



1 SB-C: SOLID BASE-COLLAR



2 CL: CLEVIS-CLEVIS



3 T-C: TONGUE-COLLAR



4 BL: BLANK W/ NO MOUNTS

Can't find the right EasyRam?

TRY OUR UNIQUE RAMBUILDER SERVICE.

Our most popular range, with more options than EASYRAM®, RAMBUILDER® allows you to customise a 'standard' ram to fit YOUR requirements.

Select the bore, shaft and stroke you want. Add the base end and shaft end from our extensive range and specify the ports.

See page 14 or visit motushydraulics.com/hydraulic-ram-range/hydraulic-cylinder-design-your-own for more information.

AGRAM™

Cylinder's specially developed for specific agricultural applications and available **ex stock**.

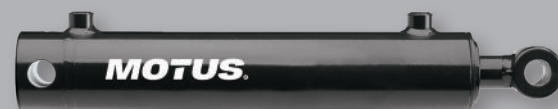
- Sprayboom Rams • Front End Loader Crowd Rams • Logsplitters Rams • SAE style Rams • Toplink Rams

RAMPART™

We also have a wide range of parts and accessories including hydraulic tube, ports, flanges and pins. Simply choose the parts and make it yourself.

EASYRAM® SB-C

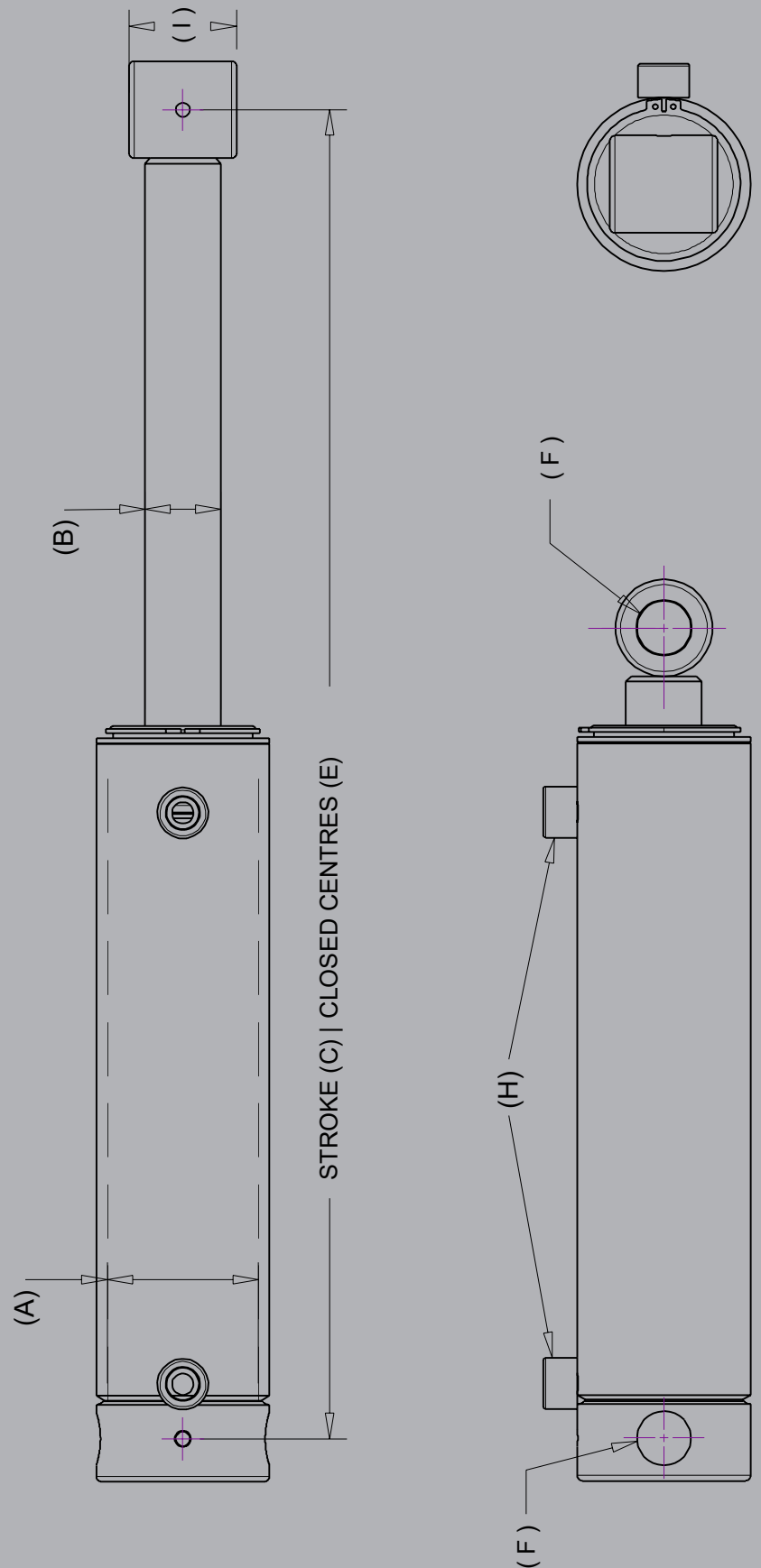
(SOLID BASE - COLLAR)



Description	Bore size (inch)	Shaft size (inch)	Stroke (inch)	Stroke (mm)	Closed Centre (mm)	Open Centre (mm)	Base Pin Size (inch)	Collar Pin Size (inch)	Collar size (inch x inch x mm)	Port sizes
	(A)	(B)	(C)	(C)	(E)		(F)	(F)		(H)
SB-C150075x102 (4")	1.5	0.75	4	102	218	320	0.75	0.75	1.5 x 0.75 x 25mm	1/4" f/m BSPP
SB-C150075x152 (6")	1.5	0.75	6	152	268	420	0.75	0.75	1.5 x 0.75 x 25mm	1/4" f/m BSPP
SB-C150075x203 (8")	1.5	0.75	8	203	319	522	0.75	0.75	1.5 x 0.75 x 25mm	1/4" f/m BSPP
SB-C150075x254 (10")	1.5	0.75	10	254	370	624	0.75	0.75	1.5 x 0.75 x 25mm	1/4" f/m BSPP
SB-C150075x305 (12")	1.5	0.75	12	305	421	726	0.75	0.75	1.5 x 0.75 x 25mm	1/4" f/m BSPP
SB-C200100x152 (6")	2	1	6	152	291	443	0.75	0.75	1.5 x 0.75 x 25mm	1/4" f/m BSPP
SB-C200100x203 (8")	2	1	8	203	342	545	0.75	0.75	1.5 x 0.75 x 25mm	1/4" f/m BSPP
SB-C200100x254 (10")	2	1	10	254	393	647	0.75	0.75	1.5 x 0.75 x 25mm	1/4" f/m BSPP
SB-C200100x305 (12")	2	1	12	305	444	749	0.75	0.75	1.5 x 0.75 x 25mm	1/4" f/m BSPP
SB-C200100x355 (14")	2	1	14	355	494	849	0.75	0.75	1.5 x 0.75 x 25mm	1/4" f/m BSPP
SB-C200100x406 (16")	2	1	16	406	545	951	0.75	0.75	1.5 x 0.75 x 25mm	1/4" f/m BSPP
SB-C200100x457 (18")	2	1	18	457	596	1053	0.75	0.75	1.5 x 0.75 x 25mm	1/4" f/m BSPP
SB-C250150x152 (6")	2.5	1.5	6	152	303	455	1	1	2 x 1 x 50mm	3/8" f/m BSPP
SB-C250150x203 (8")	2.5	1.5	8	203	354	557	1	1	2 x 1 x 50mm	3/8" f/m BSPP
SB-C250150x254 (10")	2.5	1.5	10	254	405	659	1	1	2 x 1 x 50mm	3/8" f/m BSPP
SB-C250150x305 (12")	2.5	1.5	12	305	456	761	1	1	2 x 1 x 50mm	3/8" f/m BSPP
SB-C250150x355 (14")	2.5	1.5	14	355	506	861	1	1	2 x 1 x 50mm	3/8" f/m BSPP
SB-C250150x406 (16")	2.5	1.5	16	406	557	963	1	1	2 x 1 x 50mm	3/8" f/m BSPP
SB-C250150x457 (18")	2.5	1.5	18	457	608	1065	1	1	2 x 1 x 50mm	3/8" f/m BSPP
SB-C250150x508 (20")	2.5	1.5	20	508	659	1167	1	1	2 x 1 x 50mm	3/8" f/m BSPP
SB-C250150x610 (24")	2.5	1.5	24	610	761	1371	1	1	2 x 1 x 50mm	3/8" f/m BSPP
SB-C300150x152 (6")	3	1.5	6	152	310	462	1	1	2 x 1 x 50mm	3/8" f/m BSPP
SB-C300150x203 (8")	3	1.5	8	203	361	564	1	1	2 x 1 x 50mm	3/8" f/m BSPP
SB-C300150x254 (10")	3	1.5	10	254	412	666	1	1	2 x 1 x 50mm	3/8" f/m BSPP
SB-C300150x305 (12")	3	1.5	12	305	463	768	1	1	2 x 1 x 50mm	3/8" f/m BSPP
SB-C300150x355 (14")	3	1.5	14	355	513	868	1	1	2 x 1 x 50mm	3/8" f/m BSPP
SB-C300150x406 (16")	3	1.5	16	406	564	970	1	1	2 x 1 x 50mm	3/8" f/m BSPP
SB-C300150x457 (18")	3	1.5	18	457	615	1072	1	1	2 x 1 x 50mm	3/8" f/m BSPP
SB-C300150x508 (20")	3	1.5	20	508	666	1174	1	1	2 x 1 x 50mm	3/8" f/m BSPP
SB-C300150x610 (24")	3	1.5	24	610	768	1378	1	1	2 x 1 x 50mm	3/8" f/m BSPP
SB-C350175x254 (10")	3.5	1.75	10	254	435	689	1.25	1.25	2.25 x 1.25 x 63mm	1/2" f/m BSPP
SB-C350175x305 (12")	3.5	1.75	12	305	486	791	1.25	1.25	2.25 x 1.25 x 63mm	1/2" f/m BSPP
SB-C350175x355 (14")	3.5	1.75	14	355	536	891	1.25	1.25	2.25 x 1.25 x 63mm	1/2" f/m BSPP
SB-C350175x406 (16")	3.5	1.75	16	406	587	993	1.25	1.25	2.25 x 1.25 x 63mm	1/2" f/m BSPP
SB-C350175x457 (18")	3.5	1.75	18	457	638	1095	1.25	1.25	2.25 x 1.25 x 63mm	1/2" f/m BSPP
SB-C350175x508 (20")	3.5	1.75	20	508	689	1197	1.25	1.25	2.25 x 1.25 x 63mm	1/2" f/m BSPP
SB-C350175x610 (24")	3.5	1.75	24	610	791	1401	1.25	1.25	2.25 x 1.25 x 63mm	1/2" f/m BSPP
SB-C350175x762 (30")	3.5	1.75	30	762	943	1705	1.25	1.25	2.25 x 1.25 x 63mm	1/2" f/m BSPP
SB-C350175x914 (36")	3.5	1.75	36	914	1095	2009	1.25	1.25	2.25 x 1.25 x 63mm	1/2" f/m BSPP

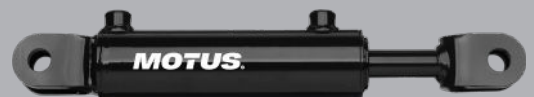
Can't find the right EasyRam? See page 14 for RamBuilder

Seal Kit Number	Force Extension @2250 psi	Force Retract @2250 psi	Dimension (I)
SK150075	1.76 ton	1.32 ton	25
SK150075	1.76 ton	1.32 ton	25
SK150075	1.76 ton	1.32 ton	25
SK150075	1.76 ton	1.32 ton	25
SK150075	1.76 ton	1.32 ton	25
SK200100	3.14 ton	2.35 ton	25
SK200100	3.14 ton	2.35 ton	25
SK200100	3.14 ton	2.35 ton	25
SK200100	3.14 ton	2.35 ton	25
SK200100	3.14 ton	2.35 ton	25
SK200100	3.14 ton	2.35 ton	25
SK200100	3.14 ton	2.35 ton	25
SK250150	4.90 ton	3.14 ton	50
SK250150	4.90 ton	3.14 ton	50
SK250150	4.90 ton	3.14 ton	50
SK250150	4.90 ton	3.14 ton	50
SK250150	4.90 ton	3.14 ton	50
SK250150	4.90 ton	3.14 ton	50
SK250150	4.90 ton	3.14 ton	50
SK250150	4.90 ton	3.14 ton	50
SK250150	4.90 ton	3.14 ton	50
SK250150	4.90 ton	3.14 ton	50
SK300150	7.06 ton	5.30 ton	50
SK300150	7.06 ton	5.30 ton	50
SK300150	7.06 ton	5.30 ton	50
SK300150	7.06 ton	5.30 ton	50
SK300150	7.06 ton	5.30 ton	50
SK300150	7.06 ton	5.30 ton	50
SK300150	7.06 ton	5.30 ton	50
SK300150	7.06 ton	5.30 ton	50
SK300150	7.06 ton	5.30 ton	50
SK300150	7.06 ton	5.30 ton	50
SK350175	9.62 ton	7.21 ton	63
SK350175	9.62 ton	7.21 ton	63
SK350175	9.62 ton	7.21 ton	63
SK350175	9.62 ton	7.21 ton	63
SK350175	9.62 ton	7.21 ton	63
SK350175	9.62 ton	7.21 ton	63
SK350175	9.62 ton	7.21 ton	63
SK350175	9.62 ton	7.21 ton	63
SK350175	9.62 ton	7.21 ton	63
SK350175	9.62 ton	7.21 ton	63
SK350175	9.62 ton	7.21 ton	63
SK350175	9.62 ton	7.21 ton	63
SK350175	9.62 ton	7.21 ton	63
SK350175	9.62 ton	7.21 ton	63
SK350175	9.62 ton	7.21 ton	63
SK350175	9.62 ton	7.21 ton	63



EASYRAM® CL

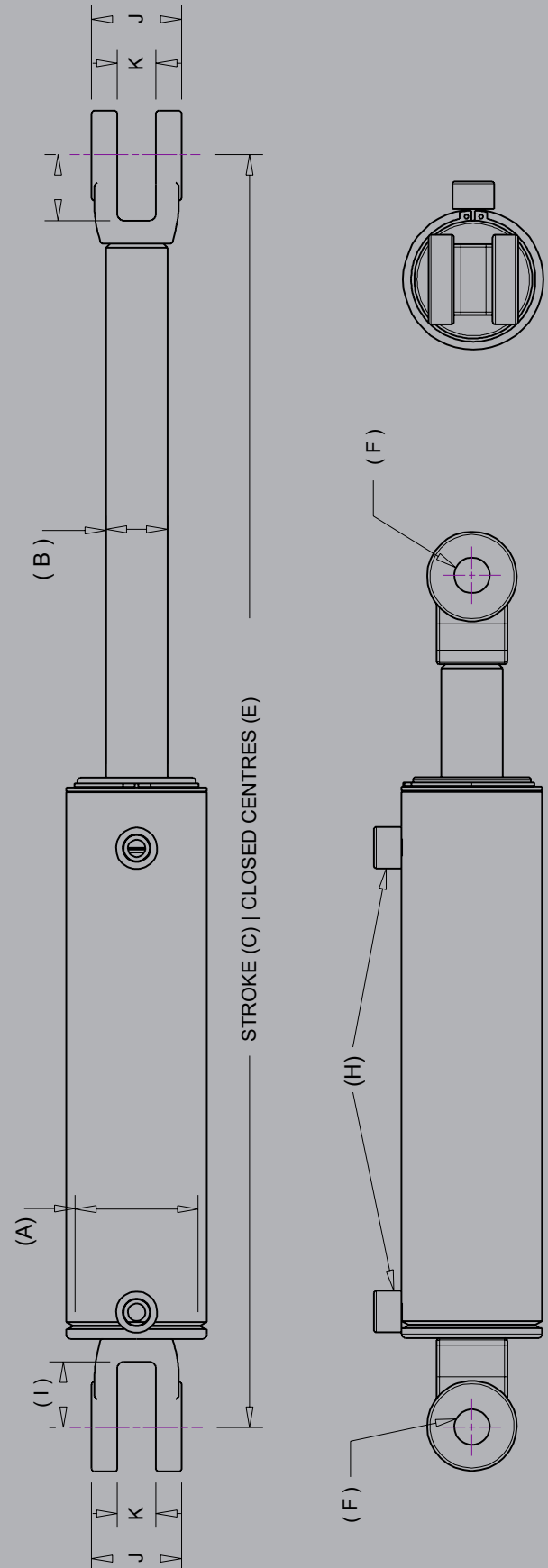
(CLEVIS - CLEVIS)



Description	Bore size (inch)	Shaft size (inch)	Stroke (inch)	Stroke (mm)	Closed Centre (mm)	Open Centre (mm)	Base Pin Size (inch)	Collar Pin Size (inch)	Collar size (code - see Rampedia)	Port sizes
	(A)	(B)	(C)	(C)	(E)		(F)	(F)		(H)
CL-CL150075x102 (4")	1.5	0.75	4	102	343	445	0.75	0.75	CL-1/CL-1	1/4" f/m BSPP
CL-CL150075x152 (6")	1.5	0.75	6	152	393	545	0.75	0.75	CL-1/CL-1	1/4" f/m BSPP
CL-CL150075x203 (8")	1.5	0.75	8	203	444	647	0.75	0.75	CL-1/CL-1	1/4" f/m BSPP
CL-CL150075x254 (10")	1.5	0.75	10	254	495	749	0.75	0.75	CL-1/CL-1	1/4" f/m BSPP
CL-CL150075x305 (12")	1.5	0.75	12	305	546	851	0.75	0.75	CL-1/CL-1	1/4" f/m BSPP
CL-CL200100x152 (6")	2	1	6	152	393	545	0.75	0.75	CL-1/CL-1	1/4" f/m BSPP
CL-CL200100x203 (8")	2	1	8	203	444	647	0.75	0.75	CL-1/CL-1	1/4" f/m BSPP
CL-CL200100x254 (10")	2	1	10	254	495	749	0.75	0.75	CL-1/CL-1	1/4" f/m BSPP
CL-CL200100x305 (12")	2	1	12	305	546	851	0.75	0.75	CL-1/CL-1	1/4" f/m BSPP
CL-CL200100x355 (14")	2	1	14	355	596	951	0.75	0.75	CL-1/CL-1	1/4" f/m BSPP
CL-CL200100x406 (16")	2	1	16	406	647	1053	0.75	0.75	CL-1/CL-1	1/4" f/m BSPP
CL-CL200100x457 (18")	2	1	18	457	698	1155	0.75	0.75	CL-1/CL-1	1/4" f/m BSPP
CL-CL250150x152 (6")	2.5	1.5	6	152	463	615	1	1	CL-10 / CL-10	3/8" f/m BSPP
CL-CL250150x203 (8")	2.5	1.5	8	203	514	717	1	1	CL-10 / CL-10	3/8" f/m BSPP
CL-CL250150x254 (10")	2.5	1.5	10	254	565	819	1	1	CL-10 / CL-10	3/8" f/m BSPP
CL-CL250150x305 (12")	2.5	1.5	12	305	616	921	1	1	CL-10 / CL-10	3/8" f/m BSPP
CL-CL250150x355 (14")	2.5	1.5	14	355	666	1021	1	1	CL-10 / CL-10	3/8" f/m BSPP
CL-CL250150x406 (16")	2.5	1.5	16	406	717	1123	1	1	CL-10 / CL-10	3/8" f/m BSPP
CL-CL250150x457 (18")	2.5	1.5	18	457	768	1225	1	1	CL-10 / CL-10	3/8" f/m BSPP
CL-CL250150x508 (20")	2.5	1.5	20	508	819	1327	1	1	CL-10 / CL-10	3/8" f/m BSPP
CL-CL250150x610 (24")	2.5	1.5	24	610	921	1531	1	1	CL-10 / CL-10	3/8" f/m BSPP
CL-CL300150x152 (6")	3	1.5	6	152	463	615	1	1	CL-10 / CL-10	3/8" f/m BSPP
CL-CL300150x203 (8")	3	1.5	8	203	514	717	1	1	CL-10 / CL-10	3/8" f/m BSPP
CL-CL300150x254 (10")	3	1.5	10	254	565	819	1	1	CL-10 / CL-10	3/8" f/m BSPP
CL-CL300150x305 (12")	3	1.5	12	305	616	921	1	1	CL-10 / CL-10	3/8" f/m BSPP
CL-CL300150x355 (14")	3	1.5	14	355	666	1021	1	1	CL-10 / CL-10	3/8" f/m BSPP
CL-CL300150x406 (16")	3	1.5	16	406	717	1123	1	1	CL-10 / CL-10	3/8" f/m BSPP
CL-CL300150x457 (18")	3	1.5	18	457	768	1225	1	1	CL-10 / CL-10	3/8" f/m BSPP
CL-CL300150x508 (20")	3	1.5	20	508	819	1327	1	1	CL-10 / CL-10	3/8" f/m BSPP
CL-CL300150x610 (24")	3	1.5	24	610	921	1531	1	1	CL-10 / CL-10	3/8" f/m BSPP
CL-CL350175x254 (10")	3.5	1.75	10	254	565	819	1	1	CL-10 / CL-10	1/2" f/m BSPP
CL-CL350175x305 (12")	3.5	1.75	12	305	616	921	1	1	CL-10 / CL-10	1/2" f/m BSPP
CL-CL350175x355 (14")	3.5	1.75	14	355	666	1021	1	1	CL-10 / CL-10	1/2" f/m BSPP
CL-CL350175x406 (16")	3.5	1.75	16	406	717	1123	1	1	CL-10 / CL-10	1/2" f/m BSPP
CL-CL350175x457 (18")	3.5	1.75	18	457	768	1225	1	1	CL-10 / CL-10	1/2" f/m BSPP
CL-CL350175x508 (20")	3.5	1.75	20	508	819	1327	1	1	CL-10 / CL-10	1/2" f/m BSPP
CL-CL350175x610 (24")	3.5	1.75	24	610	921	1531	1	1	CL-10 / CL-10	1/2" f/m BSPP
CL-CL350175x762 (30")	3.5	1.75	30	762	1073	1835	1	1	CL-10 / CL-10	1/2" f/m BSPP
CL-CL350175x914 (36")	3.5	1.75	36	914	1225	2139	1	1	CL-10 / CL-10	1/2" f/m BSPP

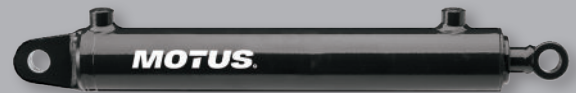
Can't find the right EasyRam? See page 14 for RamBuilder

Seal Kit Number	Force Extension @2250 psi	Force Retract @2250 psi	Dimension (I)	Dimension (J)	Dimension (K)
SK150075	1.76 ton	1.32 ton	37	43	19
SK150075	1.76 ton	1.32 ton	37	43	19
SK150075	1.76 ton	1.32 ton	37	43	19
SK150075	1.76 ton	1.32 ton	37	43	19
SK150075	1.76 ton	1.32 ton	37	43	19
SK200100	3.14 ton	2.35 ton	37	43	19
SK200100	3.14 ton	2.35 ton	37	43	19
SK200100	3.14 ton	2.35 ton	37	43	19
SK200100	3.14 ton	2.35 ton	37	43	19
SK200100	3.14 ton	2.35 ton	37	43	19
SK200100	3.14 ton	2.35 ton	37	43	19
SK200100	3.14 ton	2.35 ton	37	43	19
SK250150	4.90 ton	3.14 ton	47	64	28
SK250150	4.90 ton	3.14 ton	47	64	28
SK250150	4.90 ton	3.14 ton	47	64	28
SK250150	4.90 ton	3.14 ton	47	64	28
SK250150	4.90 ton	3.14 ton	47	64	28
SK250150	4.90 ton	3.14 ton	47	64	28
SK250150	4.90 ton	3.14 ton	47	64	28
SK250150	4.90 ton	3.14 ton	47	64	28
SK250150	4.90 ton	3.14 ton	47	64	28
SK300150	7.06 ton	5.30 ton	47	64	28
SK300150	7.06 ton	5.30 ton	47	64	28
SK300150	7.06 ton	5.30 ton	47	64	28
SK300150	7.06 ton	5.30 ton	47	64	28
SK300150	7.06 ton	5.30 ton	47	64	28
SK300150	7.06 ton	5.30 ton	47	64	28
SK300150	7.06 ton	5.30 ton	47	64	28
SK300150	7.06 ton	5.30 ton	47	64	28
SK300150	7.06 ton	5.30 ton	47	64	28
SK300150	7.06 ton	5.30 ton	47	64	28
SK350175	9.62 ton	7.21 ton	47	64	28
SK350175	9.62 ton	7.21 ton	47	64	28
SK350175	9.62 ton	7.21 ton	47	64	28
SK350175	9.62 ton	7.21 ton	47	64	28
SK350175	9.62 ton	7.21 ton	47	64	28
SK350175	9.62 ton	7.21 ton	47	64	28
SK350175	9.62 ton	7.21 ton	47	64	28
SK350175	9.62 ton	7.21 ton	47	64	28
SK350175	9.62 ton	7.21 ton	47	64	28
SK350175	9.62 ton	7.21 ton	47	64	28
SK350175	9.62 ton	7.21 ton	47	64	28



EASYRAM® T-C

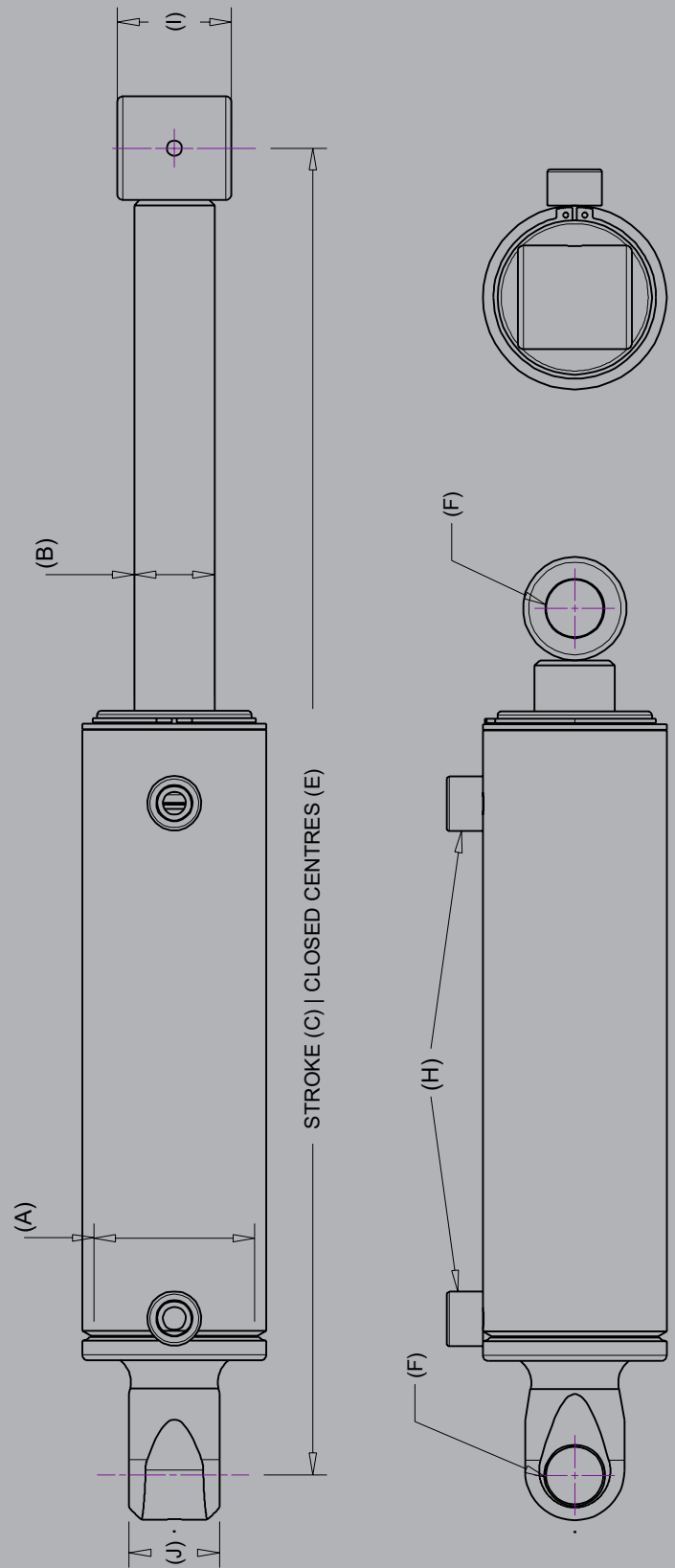
(TONGUE - COLLAR)



Description	Bore size (inch)	Shaft size (inch)	Stroke (inch)	Stroke (mm)	Closed Centre (mm)	Open Centre (mm)	Base Pin Size (inch)	Collar Pin Size (inch)	Collar size (inch x inch x mm)	Port sizes
	(A)	(B)	(C)	(C)	(E)		(F)	(F)		(H)
T-C150075x102 (4")	1.5	0.75	4	102	251	353	0.75	0.75	1.5 x 0.75 x 25mm	1/4" f/m BSPP
T-C150075x152 (6")	1.5	0.75	6	152	301	453	0.75	0.75	1.5 x 0.75 x 25mm	1/4" f/m BSPP
T-C150075x203 (8")	1.5	0.75	8	203	352	555	0.75	0.75	1.5 x 0.75 x 25mm	1/4" f/m BSPP
T-C150075x254 (10")	1.5	0.75	10	254	403	657	0.75	0.75	1.5 x 0.75 x 25mm	1/4" f/m BSPP
T-C150075x305 (12")	1.5	0.75	12	305	454	759	0.75	0.75	1.5 x 0.75 x 25mm	1/4" f/m BSPP
T-C200100x152 (6")	2	1	6	152	334	486	0.75	0.75	1.5 x 0.75 x 32mm	1/4" f/m BSPP
T-C200100x203 (8")	2	1	8	203	385	588	0.75	0.75	1.5 x 0.75 x 32mm	1/4" f/m BSPP
T-C200100x254 (10")	2	1	10	254	436	690	0.75	0.75	1.5 x 0.75 x 32mm	1/4" f/m BSPP
T-C200100x305 (12")	2	1	12	305	487	792	0.75	0.75	1.5 x 0.75 x 32mm	1/4" f/m BSPP
T-C200100x355 (14")	2	1	14	355	537	892	0.75	0.75	1.5 x 0.75 x 32mm	1/4" f/m BSPP
T-C200100x406 (16")	2	1	16	406	588	994	0.75	0.75	1.5 x 0.75 x 32mm	1/4" f/m BSPP
T-C200100x457 (18")	2	1	18	457	639	1096	0.75	0.75	1.5 x 0.75 x 32mm	1/4" f/m BSPP
T-C250150x152 (6")	2.5	1.5	6	152	340	492	1	1	2 x 1 x 50mm	3/8" f/m BSPP
T-C250150x203 (8")	2.5	1.5	8	203	391	594	1	1	2 x 1 x 50mm	3/8" f/m BSPP
T-C250150x254 (10")	2.5	1.5	10	254	442	696	1	1	2 x 1 x 50mm	3/8" f/m BSPP
T-C250150x305 (12")	2.5	1.5	12	305	493	798	1	1	2 x 1 x 50mm	3/8" f/m BSPP
T-C250150x355 (14")	2.5	1.5	14	355	543	898	1	1	2 x 1 x 50mm	3/8" f/m BSPP
T-C250150x406 (16")	2.5	1.5	16	406	594	1000	1	1	2 x 1 x 50mm	3/8" f/m BSPP
T-C250150x457 (18")	2.5	1.5	18	457	645	1102	1	1	2 x 1 x 50mm	3/8" f/m BSPP
T-C250150x508 (20")	2.5	1.5	20	508	696	1204	1	1	2 x 1 x 50mm	3/8" f/m BSPP
T-C250150x610 (24")	2.5	1.5	24	610	798	1408	1	1	2 x 1 x 50mm	3/8" f/m BSPP
T-C300150x152 (6")	3	1.5	6	152	347	499	1	1	2 x 1 x 50mm	3/8" f/m BSPP
T-C300150x203 (8")	3	1.5	8	203	398	601	1	1	2 x 1 x 50mm	3/8" f/m BSPP
T-C300150x254 (10")	3	1.5	10	254	449	703	1	1	2 x 1 x 50mm	3/8" f/m BSPP
T-C300150x305 (12")	3	1.5	12	305	500	805	1	1	2 x 1 x 50mm	3/8" f/m BSPP
T-C300150x355 (14")	3	1.5	14	355	550	905	1	1	2 x 1 x 50mm	3/8" f/m BSPP
T-C300150x406 (16")	3	1.5	16	406	601	1007	1	1	2 x 1 x 50mm	3/8" f/m BSPP
T-C300150x457 (18")	3	1.5	18	457	652	1109	1	1	2 x 1 x 50mm	3/8" f/m BSPP
T-C300150x508 (20")	3	1.5	20	508	703	1211	1	1	2 x 1 x 50mm	3/8" f/m BSPP
T-C300150x610 (24")	3	1.5	24	610	805	1415	1	1	2 x 1 x 50mm	3/8" f/m BSPP
T-C350175x254 (10")	3.5	1.75	10	254	479	733	1.25	1.25	2.25 x 1.25 x 63mm	1/2" f/m BSPP
T-C350175x305 (12")	3.5	1.75	12	305	530	835	1.25	1.25	2.25 x 1.25 x 63mm	1/2" f/m BSPP
T-C350175x355 (14")	3.5	1.75	14	355	580	935	1.25	1.25	2.25 x 1.25 x 63mm	1/2" f/m BSPP
T-C350175x406 (16")	3.5	1.75	16	406	631	1037	1.25	1.25	2.25 x 1.25 x 63mm	1/2" f/m BSPP
T-C350175x457 (18")	3.5	1.75	18	457	682	1139	1.25	1.25	2.25 x 1.25 x 63mm	1/2" f/m BSPP
T-C350175x508 (20")	3.5	1.75	20	508	733	1241	1.25	1.25	2.25 x 1.25 x 63mm	1/2" f/m BSPP
T-C350175x610 (24")	3.5	1.75	24	610	835	1445	1.25	1.25	2.25 x 1.25 x 63mm	1/2" f/m BSPP
T-C350175x762 (30")	3.5	1.75	30	762	987	1749	1.25	1.25	2.25 x 1.25 x 63mm	1/2" f/m BSPP
T-C350175x914 (36")	3.5	1.75	36	914	1139	2053	1.25	1.25	2.25 x 1.25 x 63mm	1/2" f/m BSPP

Can't find the right EasyRam? See page 14 for RamBuilder

Seal Kit Number	Force Extension @2250 psi	Force Retract @2250 psi	Dimension (I)	Dimension (J)
SK150075	1.76 ton	1.32 ton	25	25
SK150075	1.76 ton	1.32 ton	25	25
SK150075	1.76 ton	1.32 ton	25	25
SK150075	1.76 ton	1.32 ton	25	25
SK150075	1.76 ton	1.32 ton	25	25
SK200100	3.14 ton	2.35 ton	25	25
SK200100	3.14 ton	2.35 ton	25	25
SK200100	3.14 ton	2.35 ton	25	25
SK200100	3.14 ton	2.35 ton	25	25
SK200100	3.14 ton	2.35 ton	25	25
SK200100	3.14 ton	2.35 ton	25	25
SK200100	3.14 ton	2.35 ton	25	25
SK200100	3.14 ton	2.35 ton	25	25
SK250150	4.90 ton	3.14 ton	50	32
SK250150	4.90 ton	3.14 ton	50	32
SK250150	4.90 ton	3.14 ton	50	32
SK250150	4.90 ton	3.14 ton	50	32
SK250150	4.90 ton	3.14 ton	50	32
SK250150	4.90 ton	3.14 ton	50	32
SK250150	4.90 ton	3.14 ton	50	32
SK250150	4.90 ton	3.14 ton	50	32
SK250150	4.90 ton	3.14 ton	50	32
SK250150	4.90 ton	3.14 ton	50	32
SK300150	7.06 ton	5.30 ton	50	40
SK300150	7.06 ton	5.30 ton	50	40
SK300150	7.06 ton	5.30 ton	50	40
SK300150	7.06 ton	5.30 ton	50	40
SK300150	7.06 ton	5.30 ton	50	40
SK300150	7.06 ton	5.30 ton	50	40
SK300150	7.06 ton	5.30 ton	50	40
SK300150	7.06 ton	5.30 ton	50	40
SK300150	7.06 ton	5.30 ton	50	40
SK300150	7.06 ton	5.30 ton	50	40
SK350175	9.62 ton	7.21 ton	63	50
SK350175	9.62 ton	7.21 ton	63	50
SK350175	9.62 ton	7.21 ton	63	50
SK350175	9.62 ton	7.21 ton	63	50
SK350175	9.62 ton	7.21 ton	63	50
SK350175	9.62 ton	7.21 ton	63	50
SK350175	9.62 ton	7.21 ton	63	50
SK350175	9.62 ton	7.21 ton	63	50
SK350175	9.62 ton	7.21 ton	63	50
SK350175	9.62 ton	7.21 ton	63	50



EASYRAM® BL

(BLANK - WITH NO MOUNTS)



Description	Bore size (inch)	Shaft size (inch)	Stroke (inch)	Stroke (mm)	Closed Centre (mm)	Open Centre (mm)	Port sizes	Seal Kit Number	Force Extension @2250 psi	Force Retract @2250 psi
	(A)	(B)	(C)	(C)	(E)		(H)			
BL150075x102 (4")	1.5	0.75	4	102	230	332	1/4" f/m BSPP	SK150075	1.76 ton	1.32 ton
BL150075x152 (6")	1.5	0.75	6	152	280	432	1/4" f/m BSPP	SK150075	1.76 ton	1.32 ton
BL150075x203 (8")	1.5	0.75	8	203	331	534	1/4" f/m BSPP	SK150075	1.76 ton	1.32 ton
BL150075x254 (10")	1.5	0.75	10	254	382	636	1/4" f/m BSPP	SK150075	1.76 ton	1.32 ton
BL150075x305 (12")	1.5	0.75	12	305	433	738	1/4" f/m BSPP	SK150075	1.76 ton	1.32 ton
BL200100x152 (6")	2	1	6	152	303	455	1/4" f/m BSPP	SK200100	3.14 ton	2.35 ton
BL200100x203 (8")	2	1	8	203	354	557	1/4" f/m BSPP	SK200100	3.14 ton	2.35 ton
BL200100x254 (10")	2	1	10	254	405	659	1/4" f/m BSPP	SK200100	3.14 ton	2.35 ton
BL200100x305 (12")	2	1	12	305	456	761	1/4" f/m BSPP	SK200100	3.14 ton	2.35 ton
BL200100x355 (14")	2	1	14	355	506	861	1/4" f/m BSPP	SK200100	3.14 ton	2.35 ton
BL200100x406 (16")	2	1	16	406	557	963	1/4" f/m BSPP	SK200100	3.14 ton	2.35 ton
BL200100x457 (18")	2	1	18	457	608	1065	1/4" f/m BSPP	SK200100	3.14 ton	2.35 ton
BL250150x152 (6")	2.5	1.5	6	152	303	455	3/8" f/m BSPP	SK250150	4.90 ton	3.14 ton
BL250150x203 (8")	2.5	1.5	8	203	354	557	3/8" f/m BSPP	SK250150	4.90 ton	3.14 ton
BL250150x254 (10")	2.5	1.5	10	254	405	659	3/8" f/m BSPP	SK250150	4.90 ton	3.14 ton
BL250150x305 (12")	2.5	1.5	12	305	456	761	3/8" f/m BSPP	SK250150	4.90 ton	3.14 ton
BL250150x355 (14")	2.5	1.5	14	355	506	861	3/8" f/m BSPP	SK250150	4.90 ton	3.14 ton
BL250150x406 (16")	2.5	1.5	16	406	557	963	3/8" f/m BSPP	SK250150	4.90 ton	3.14 ton
BL250150x457 (18")	2.5	1.5	18	457	608	1065	3/8" f/m BSPP	SK250150	4.90 ton	3.14 ton
BL250150x508 (20")	2.5	1.5	20	508	559	1167	3/8" f/m BSPP	SK250150	4.90 ton	3.14 ton
BL250150x610 (24")	2.5	1.5	24	610	761	1371	3/8" f/m BSPP	SK250150	4.90 ton	3.14 ton
BL300150x152 (6")	3	1.5	6	152	310	462	3/8" f/m BSPP	SK300150	7.06 ton	5.30 ton
BL300150x203 (8")	3	1.5	8	203	361	564	3/8" f/m BSPP	SK300150	7.06 ton	5.30 ton
BL300150x254 (10")	3	1.5	10	254	412	666	3/8" f/m BSPP	SK300150	7.06 ton	5.30 ton
BL300150x305 (12")	3	1.5	12	305	463	768	3/8" f/m BSPP	SK300150	7.06 ton	5.30 ton
BL300150x355 (14")	3	1.5	14	355	513	868	3/8" f/m BSPP	SK300150	7.06 ton	5.30 ton
BL300150x406 (16")	3	1.5	16	406	564	970	3/8" f/m BSPP	SK300150	7.06 ton	5.30 ton
BL300150x457 (18")	3	1.5	18	457	615	1072	3/8" f/m BSPP	SK300150	7.06 ton	5.30 ton
BL300150x508 (20")	3	1.5	20	508	666	1174	3/8" f/m BSPP	SK300150	7.06 ton	5.30 ton
BL300150x610 (24")	3	1.5	24	610	768	1378	3/8" f/m BSPP	SK300150	7.06 ton	5.30 ton
BL350175x254 (10")	3.5	1.75	10	254	429	683	1/2" f/m BSPP	SK350175	9.62 ton	7.21 ton
BL350175x305 (12")	3.5	1.75	12	305	480	785	1/2" f/m BSPP	SK350175	9.62 ton	7.21 ton
BL350175x355 (14")	3.5	1.75	14	355	530	885	1/2" f/m BSPP	SK350175	9.62 ton	7.21 ton
BL350175x406 (16")	3.5	1.75	16	406	581	987	1/2" f/m BSPP	SK350175	9.62 ton	7.21 ton
BL350175x457 (18")	3.5	1.75	18	457	632	1089	1/2" f/m BSPP	SK350175	9.62 ton	7.21 ton
BL350175x508 (20")	3.5	1.75	20	508	683	1191	1/2" f/m BSPP	SK350175	9.62 ton	7.21 ton
BL350175x610 (24")	3.5	1.75	24	610	785	1395	1/2" f/m BSPP	SK350175	9.62 ton	7.21 ton
BL350175x762 (30")	3.5	1.75	30	762	937	1699	1/2" f/m BSPP	SK350175	9.62 ton	7.21 ton
BL350175x914 (36")	3.5	1.75	36	914	1089	2003	1/2" f/m BSPP	SK350175	9.62 ton	7.21 ton

Can't find the right EasyRam? See page 14 for RamBuilder

Dimension

(I)

50

50

50

50

50

50

50

50

50

50

50

50

50

50

50

50

50

50

50

50

50

50

50

50

50

50

50

50

50

50

50

50

50

50

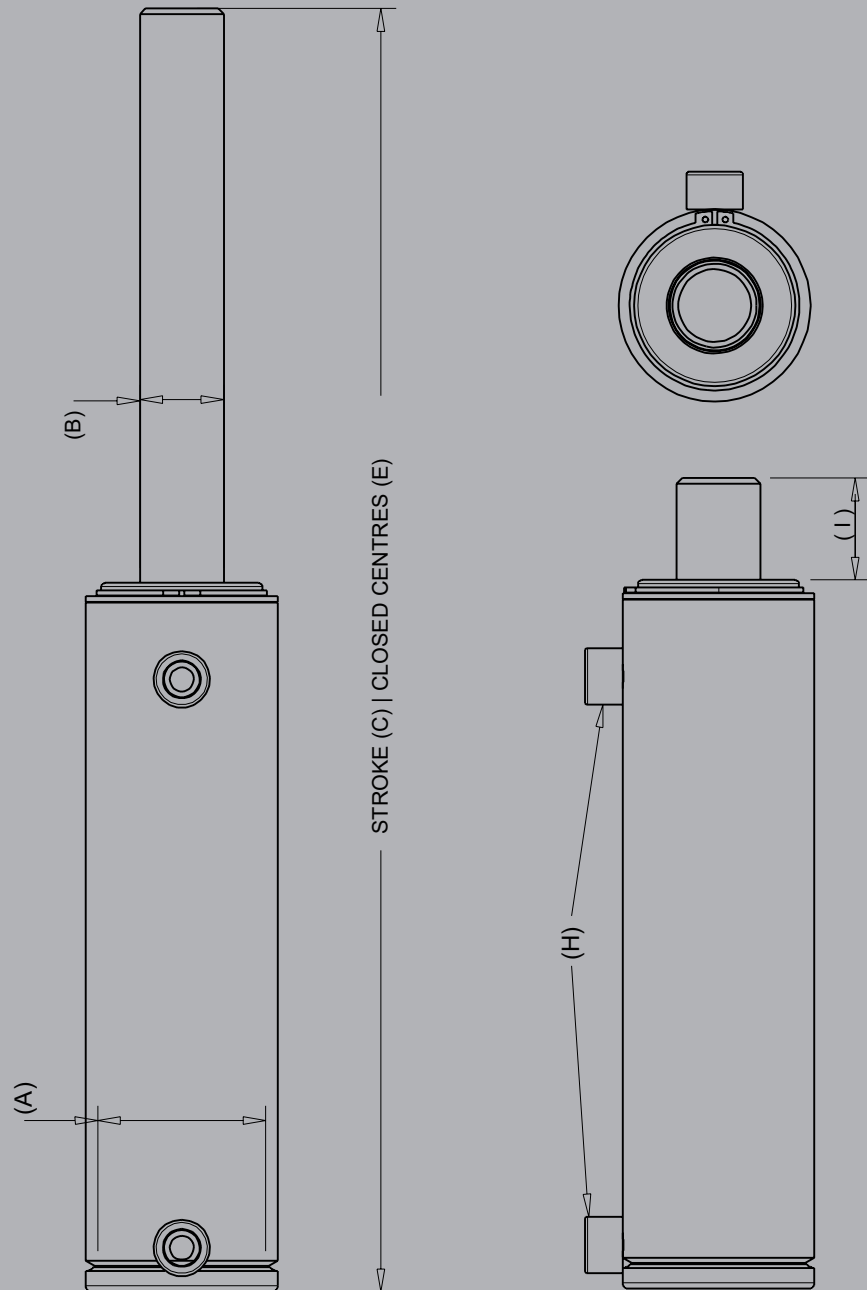
50

50

50

50

50



What do our **customers** say?

"We received the cylinders, fitted one to a machine and tested without incident. Thank you for delivering promptly as promised, we will definitely be placing future orders."

WORK PLATFORM MANUFACTURER

"Thank you for getting those cylinders through so quickly, they are doing the business! Thanks."

ORIGINAL EQUIPMENT MANUFACTURER

"Just letting you know that the cylinder has arrived and looks very good thank you!"

INDUSTRIAL HYDRAULICS MANUFACTURER

"Thank you very much for the prompt service, much appreciated."

ENGINEER

"Just a quick email to say thanx mate, awesome service. Rams turned up Saturday morning."

ORIGINAL EQUIPMENT MANUFACTURER

**BUILT.
BOXED.
OUTTA HERE.**

**100
HOUR
PROMISE**

Order a Motus EASYRAM® today and we'll have it built, boxed and on its way to you inside one hundred hours. **Guaranteed.**

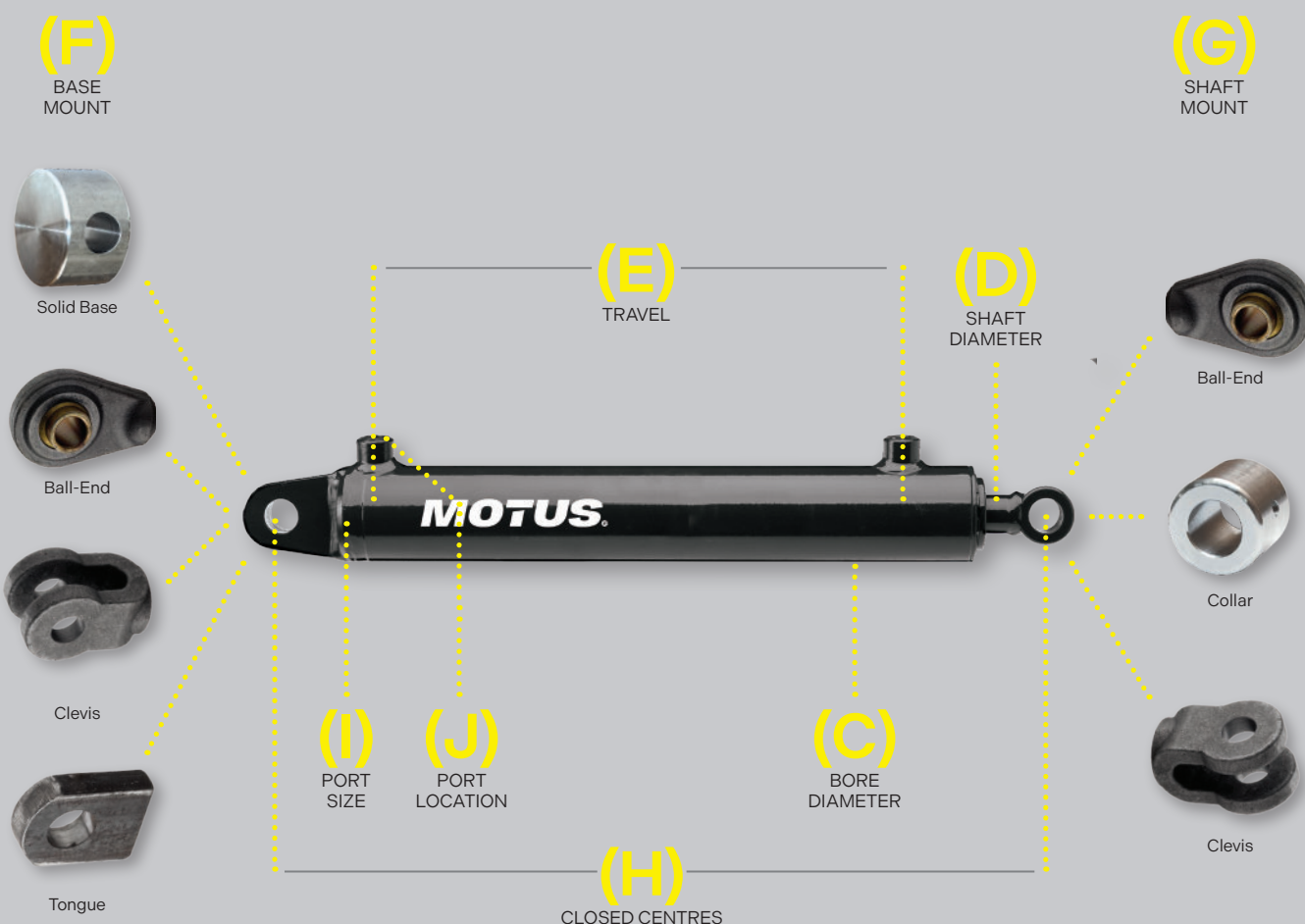
* Terms & Conditions: Motus Hydraulics guarantee to dispatch up to 5 rams of any configuration from the Rambuilder or Easyram ranges in less than 100 hours (4-working days, excludes weekends, public holidays and elements beyond our control) from written order confirmation unless otherwise agreed at time of submitting order. Any ram or part from the Stockram or Rampart range will be dispatched the same day when ordered before 4pm, or the following day if ordered after 4pm. Account must be current.

BUILD A CYLINDER

RAMBUILDER® is a unique and innovative 5 step method of selecting a production type 'standard' ram to fit YOUR requirements.

The ram will come with a trace number - to order further rams or replacement parts, simply quote the number. This gives you the confidence of buying the cylinder as if it were a stock item, yet with the flexibility of design and dimensions.

- 1** SPECIFY: **(A)** quantity **(B)** type **(C)** bore diameter **(D)** shaft diameter **(E)** stroke
- 2** SELECT: **(F)** base mount **(G)** shaft mount
- 3** Port size defaults to BSPP/FM to match the ram size. Default port location is 90° to the pin
OR SPECIFY: **(I)** port size **(J)** port location
- 4** SPECIFY PAINT: standard, primed, or other.
- 5** SPECIFY: **(H)** closed centres **(O)** open centres



Visit motushydraulics.com/hydraulic-ram-range/hydraulic-cylinder-design-your-own for more information.

MOTUS. **KEEP YOU
MOVING**

INFO@MOTUSHYDRAULICS.COM // WWW.MOTUSHYDRAULICS.COM

123 DARLINGTON DRIVE, YATALA, QLD, AUSTRALIA • 25 POPORO WAY, HASTINGS, NEW ZEALAND
AU PHONE: 1800 839 249 • NZ PHONE: 0800 668 874

