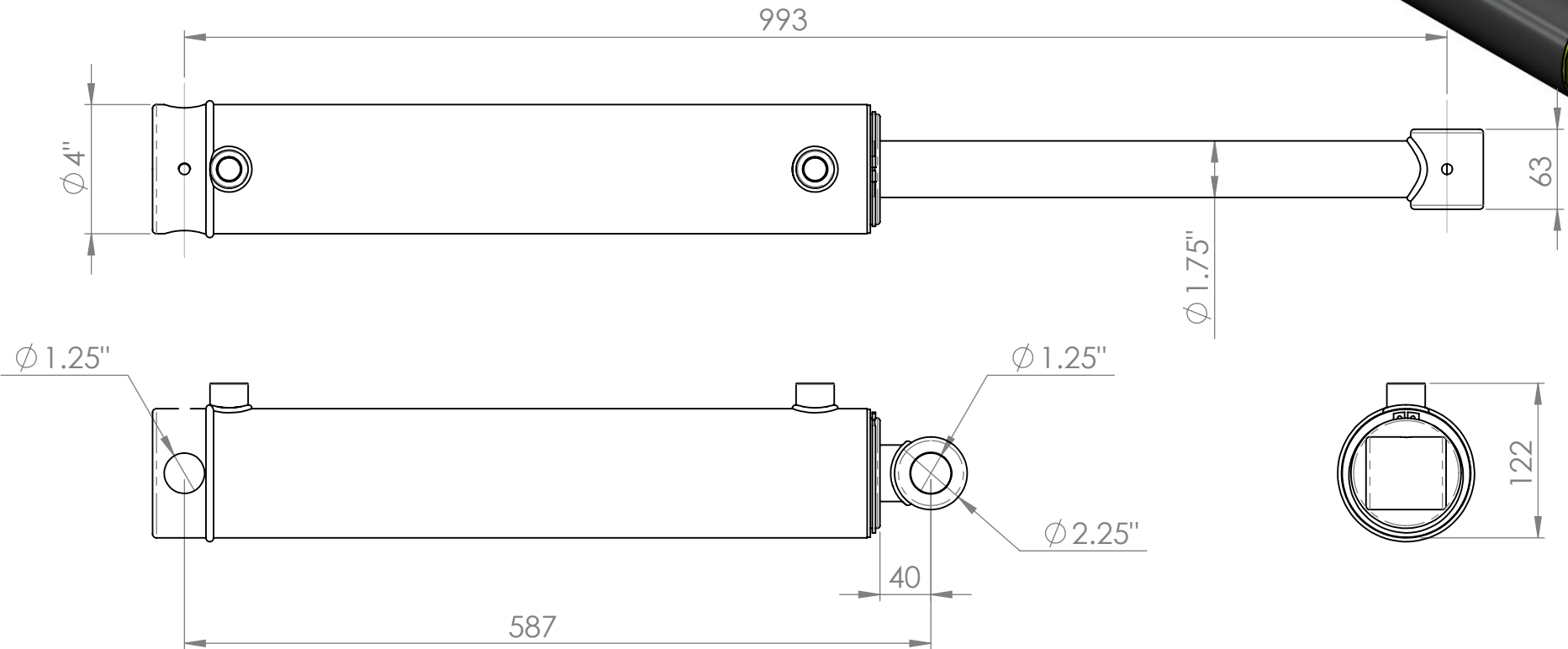
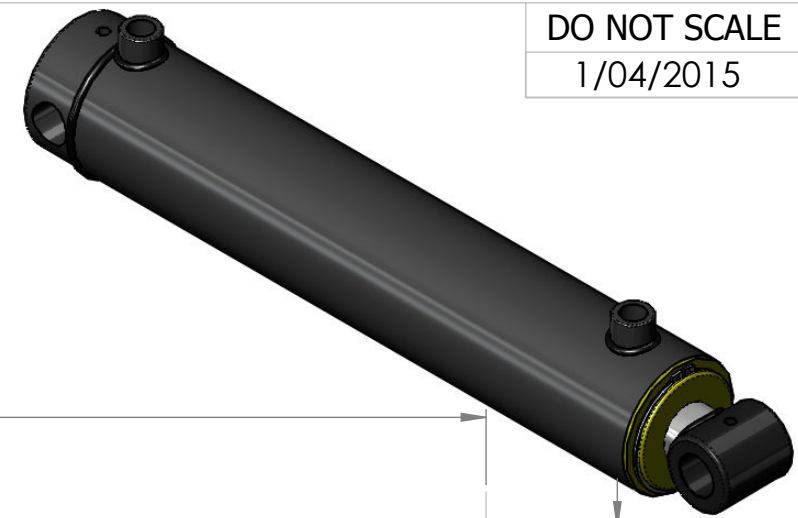


DO NOT SCALE

1/04/2015



The information contained in this drawing is proprietary to MOTUS and shall not be reproduced or disclosed in whole or in part or used for any design or manufacture except when such user possesses direct written authorisation from MOTUS

Ram Phone: 0800 66 88 74
 Phone: +64 6 879 8590
 sales@motushydraulics.co.nz
 www.motushydraulics.co.nz

| | | | |
|-----------------|----------------------|---------------------------|-------------------|
| DESCRIPTION | SB-C350175x406 (16") | | |
| SEAL KIT No: | SK350175 | RATED OPERATING PRESSURE: | |
| FORCE EXTENSION | 9620 kg @2250 psi | FORCE RETRACT | 7210 kG @2250 psi |
| STROKE | 406mm | PORTS | 1/2" F/M BSPP |
| CLOSED CENTRES | 587mm | BASE MOUNT | SB- |
| OPEN CENTRES | 993mm | SHAFT MOUNT | C-31 |