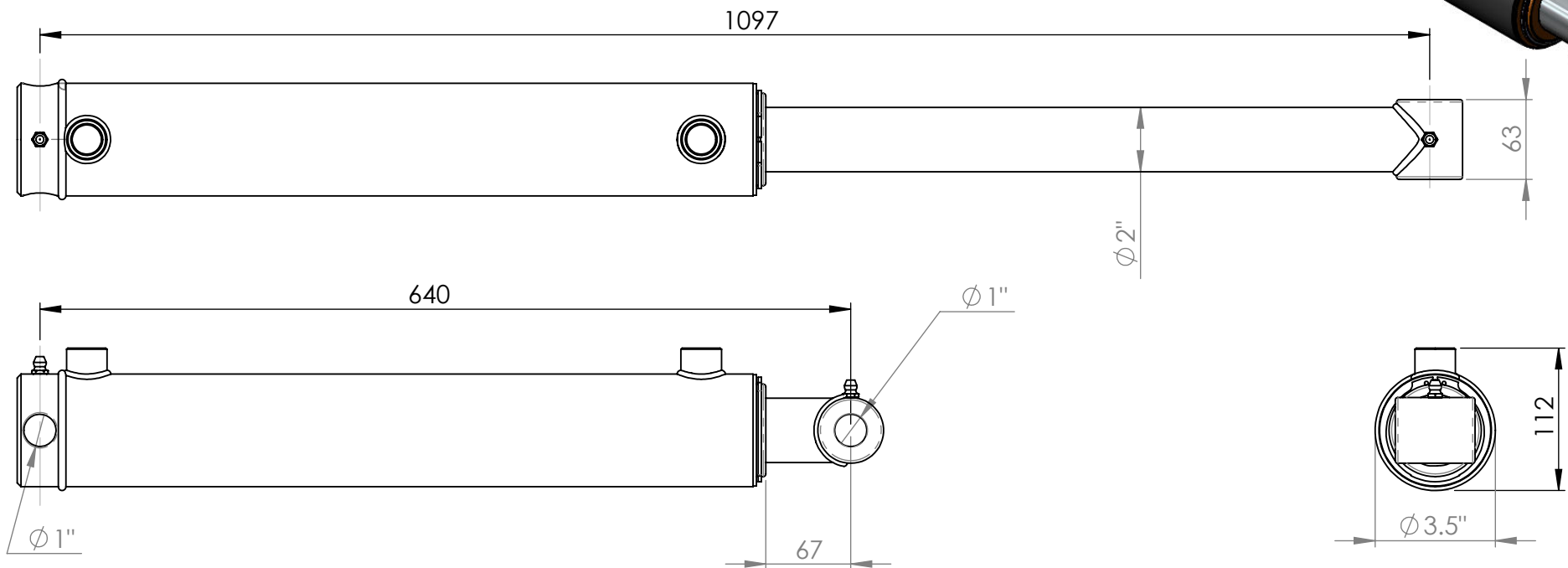
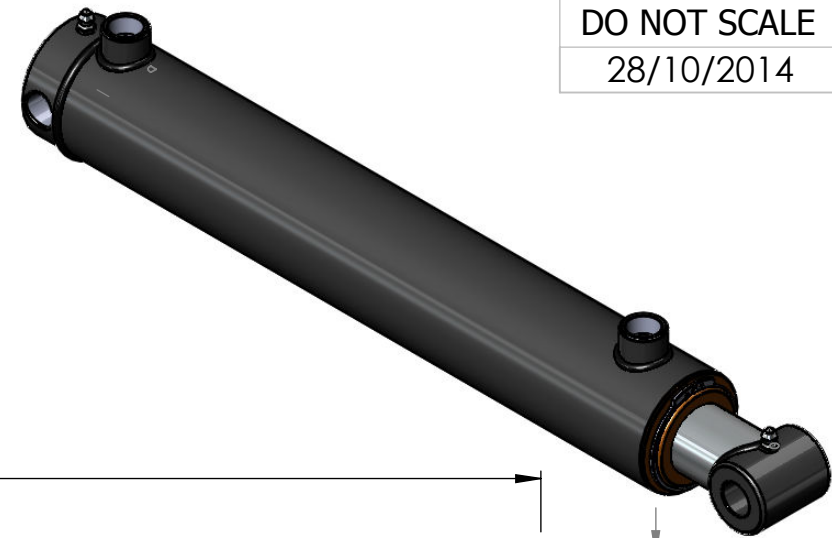


DO NOT SCALE

28/10/2014



The information contained in this drawing is proprietary to MOTUS and shall not be reproduced or disclosed in whole or in part or used for any design or manufacture except when such user possesses direct written authorisation from MOTUS

Ram Phone: 0800 66 88 74
 Phone: +64 6 879 8590
sales@motushydraulics.co.nz
www.motushydraulics.co.nz

DESCRIPTION	PC25		
SEAL KIT No:	SK300200		
FORCE EXTENSION	9600kg @ 2250psi	FORCE RETRACT	7850kg @ 2250psi
STROKE	457mm	PORTS	3/4"FMBSPP
CLOSED CENTRES	640mm	BASE MOUNT	6531
OPEN CENTRES	1097mm	SHAFT MOUNT	6590-1